

Magnetic Scalar Field Generator

By Vitaliy Zamsha and Vladimir Shevtsov

In this paper work, authors represent an innovative construction of the scalar field generator, which is named as “scalar gun”.

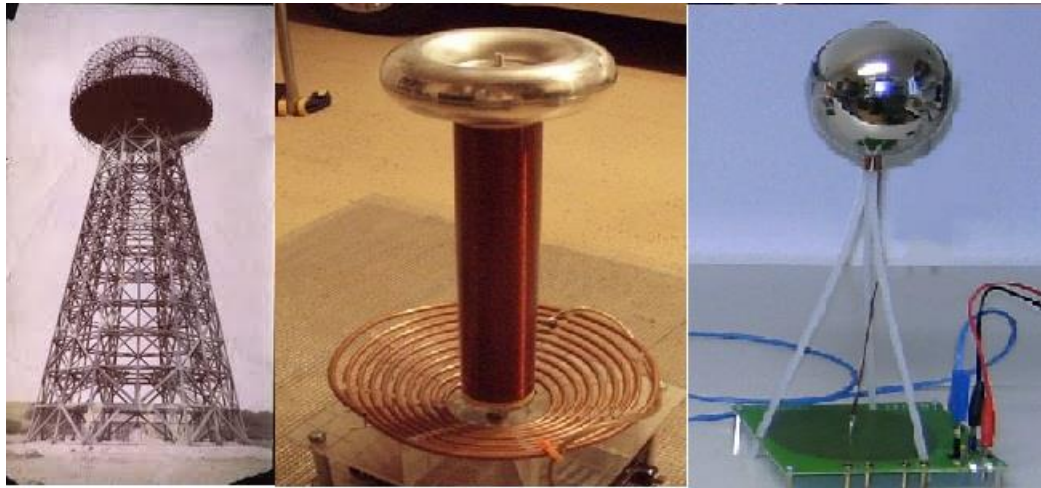
Scalar gun proposed in this article can be used as a magnetic scalar field generator for educational purpose, for some research in physics or biology or medicine or as part of the communication system etc.

Note that some of the information represented in this article is taken from free Internet sources for educational purpose.

Some introduction into scalar field

As promised in the book “Torsion Field and Interstellar Communication” [1] by V.Shkatov & V.Zamsha, authors of this new article will talk about scalar field and how it can be generated.

Scalar field was discovered more than 100 years ago, and the first who dealt with it was Nikola Tesla. He built different scalar field devices mainly to transfer an electrical energy. This time appeared many replicas of Tesla scalar devices but all of them emit mixture of electromagnetic waves and scalar waves. Therefore, they are not good as "pure" scalar generators, because they all have an "open" construction – refer to the pictures of Tesla scalar field tower and his “modern” replicas:



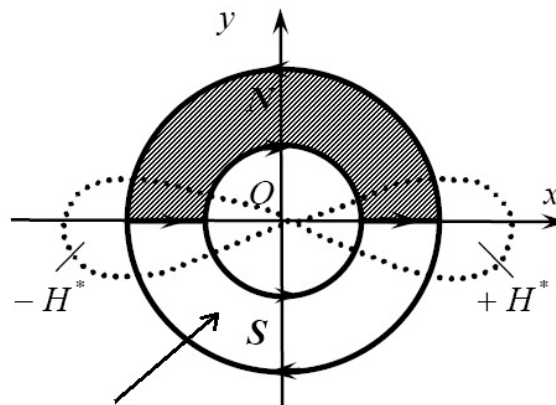
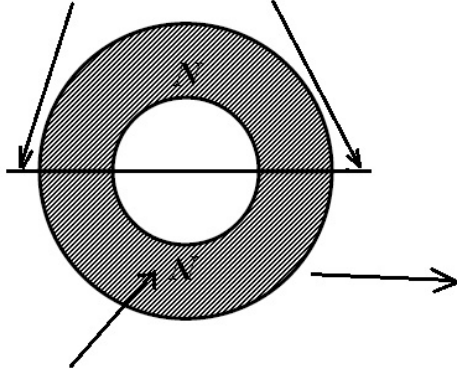
As seen above, all those scalar devices can create a lot of electromagnetic interference.

Thus, in order to avoid EM emissions, the authors of this article attempted to develop a "pure" scalar generator based on the magnetic scalar field theory developed by Dr. Gennady Nikolaev [2]. He called it as a "Second Magnetic Field". According to him, the scalar field is generated by any charge in motion. Scalar field can be generated by an electrical current in a wire or by any charge that moves in a vacuum. Scalar field can be static or dynamic. Static scalar field is generated by a DC current or by permanent magnets. Dynamic scalar field can be generated by a pulsed current etc... As written above, a scalar field can be easily generated, but it is difficult to register it! Scalar field has a good penetrating ability, so it is difficult to shield it.

The simplest way to get a magnetic scalar field source is to take an ordinary permanent magnet from any speaker, cut it in two halves and rotate one half on 180 degrees and stick it back to other half as pictured below:

Changing ordinary speaker magnet into a static scalar field generator

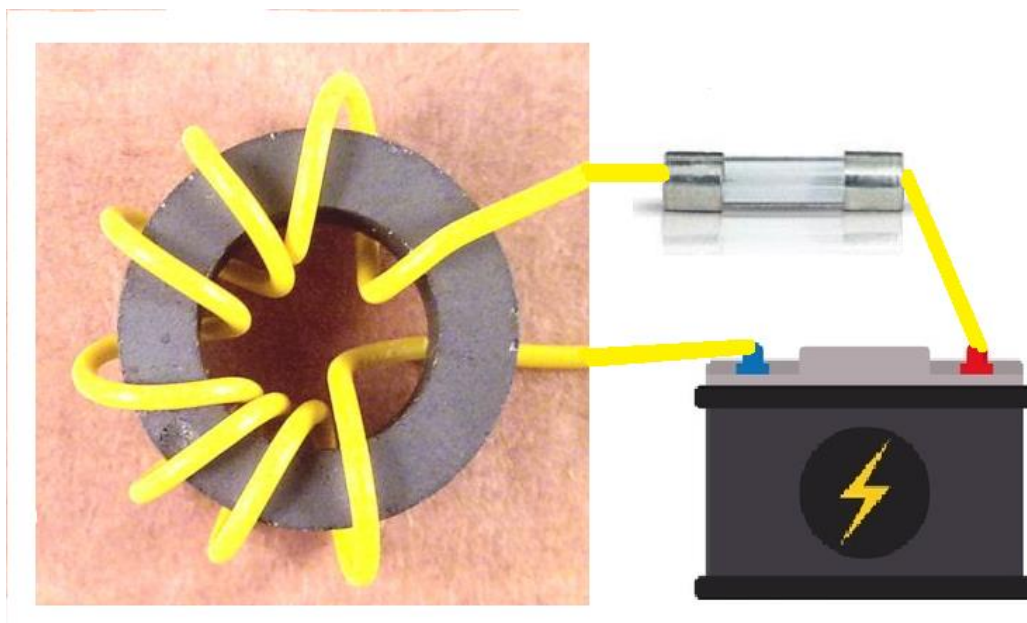
1. Cutting line of the Ring Magnet



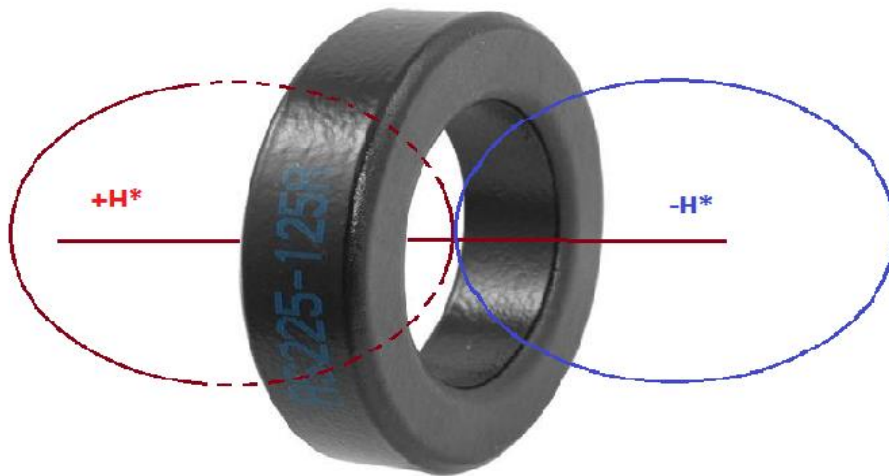
2. Turn the lower half of the magnet 180 degrees and dock to the top half

Where $+H^*$ and $-H^*$ are magnetic scalar field zones.

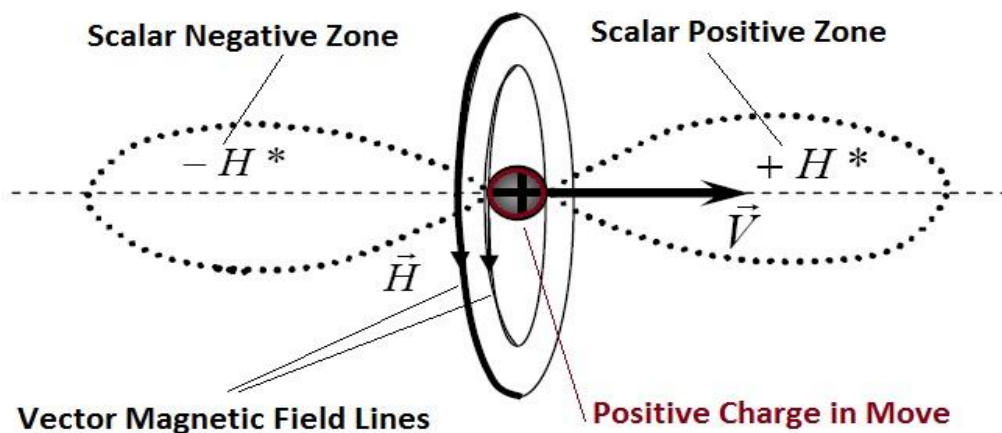
But it exist other way how to change any speaker magnet into a scalar field source. Place the speaker magnet into a very hot stove with +400 degrees and warm it up. When magnet warms up it will loose its factory made an axial magnetism. Then, after magnet gets cold, wind a thick wire on its ring – about 10 winds. Connect this assembly to the car battery through the fuse of about 25A – so this will be a short high current pulse and the fuse will explode and your scalar magnet will be ready to use! This method of preparing a scalar magnet was popularized by Sergey Deyna from Russia [3]. Refer to the picture below:



After scalar magnet done, the scalar field zones will be oriented in the toroid's axial direction – refer to the picture below:

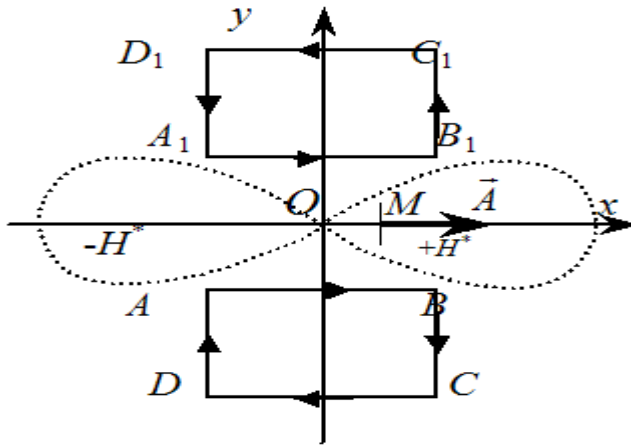


So, the vector magnetic field is completely enclosed inside the toroid - in its plane, but the scalar field is formed orthogonally to the toroid's plane - along the axis of the toroid - zone $+H^*$ and $-H^*$. Note that a static magnetic scalar field is not so powerful as dynamic! *** So, as mentioned before, scalar field can be generated by use of the electrical current! In the picture below is shown how positive and negative zones of scalar field can be created by an electrical charge when it moves:



But it is not efficient to create a scalar field just by one wire with current in it - its better to use two wire loops to generate a scalar field.

Consider a system of two identical rectangular wire loops with electrical current in them. Please note that the vector diagrams shown here are for illustrating the use of DC current! The picture below shows how scalar positive and negative zones can be created if use two wire loops fed with DC current (consider directions of the current!):



Further development in scalar field theory was made by Dr. A. Tomilin [4] from Kazakhstan.

He proposed to use a set of many pairs of rectangular loops around the common axis to gain more scalar field power. But even this is not a final solution. V. Zamsha proposed to "approximate" (or in other words – convert) those wire loops into the assembly of two solid hollow cylindrical tubes and two "washers" - one in the front to connect the inner cylinder with the outer one and other washer placed on the rear side of this construction to make electrical connection between external cylinder and the coax cable braiding.

Author's Construction of Scalar Gun

After taking into consideration all information about scalar field, the authors of this article discussed possible design and proposed the final assembly of the magnetic scalar field gun prototype, as shown below:



Prototype of Scalar Gun assembled by Vladimir Shevtsov, Belarus

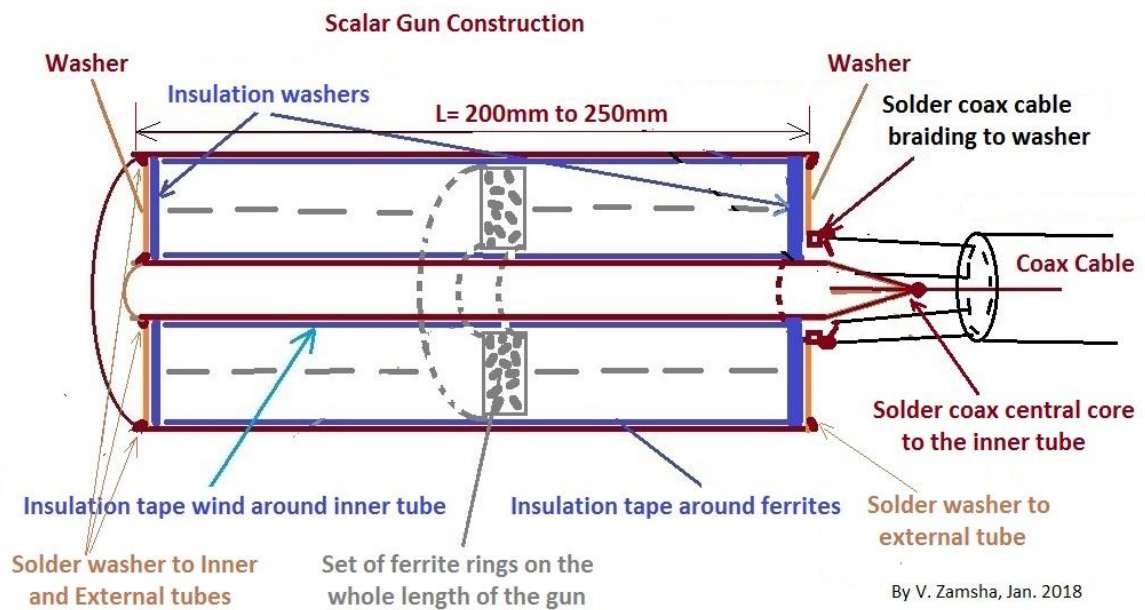
Its size: external diameter about 35mm, internal hole diameter - 12mm, length = 275mm

But to increase the efficiency of the scalar gun it was proposed to fill the inner space between the two cylinders with ferrite rings in order to concentrate the magnetic field, and thus increase the scalar field power.

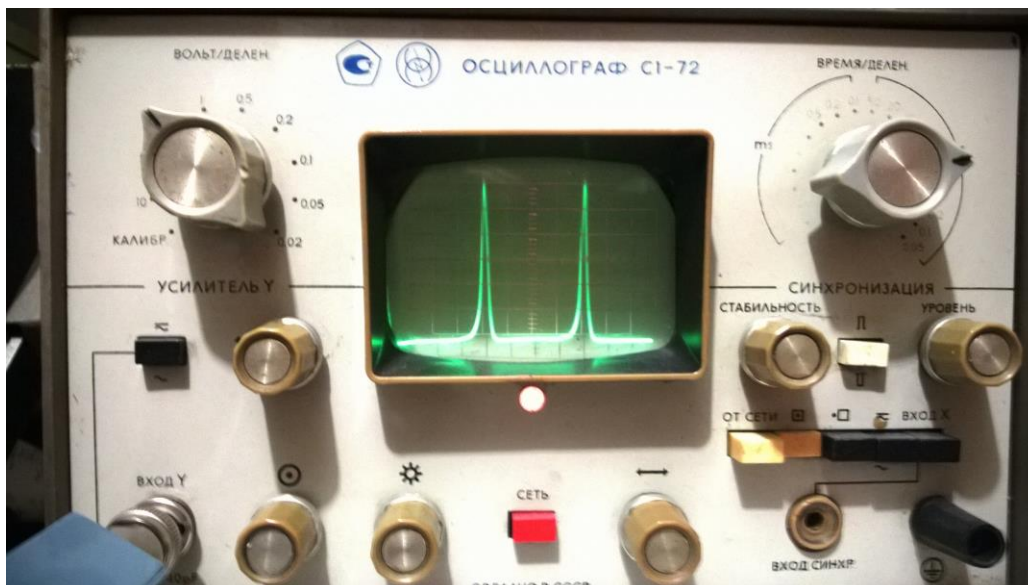
So, it was prepared the sketch of the scalar gun and Vladimir Shevtsov assembled it in Belarus. Refer to another picture of the scalar gun:



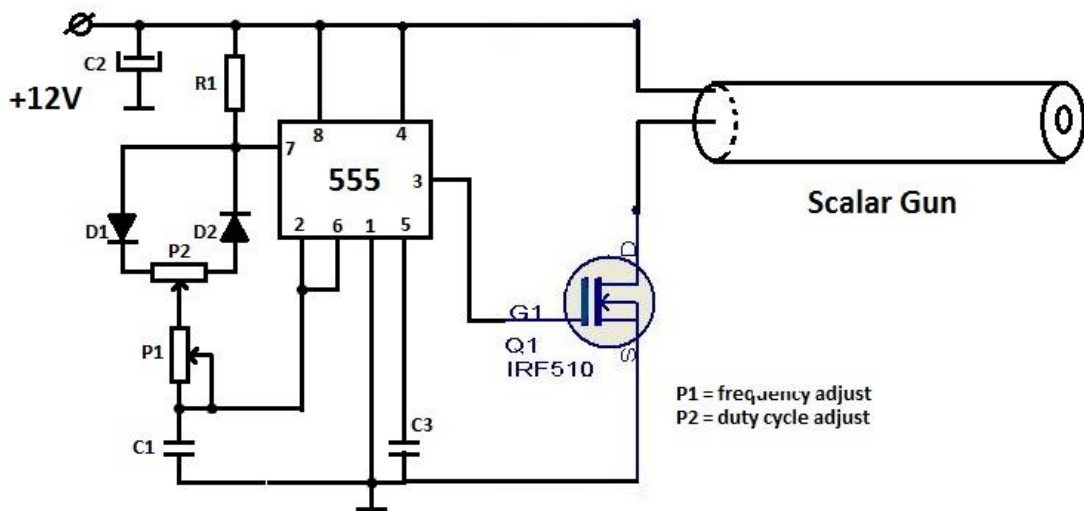
It is assembled from two long aluminum cylinders (outer and inner) and two aluminum washers. Internal space between two cylinders filled with toroidal ferrite cores. Permeability of toroids is 2000 μ . Sketch of the scalar gun (head) on picture below:



The assembled “head” of the scalar gun is connected to the control box via a short coax cable. Control box is a pulse generator with duty cycle control and frequency. Average operational frequency of the scalar gun assembled in Belarus by V.Shevstov is around 100kHz - unipolar square pulses with duty cycle around 10% - on picture:



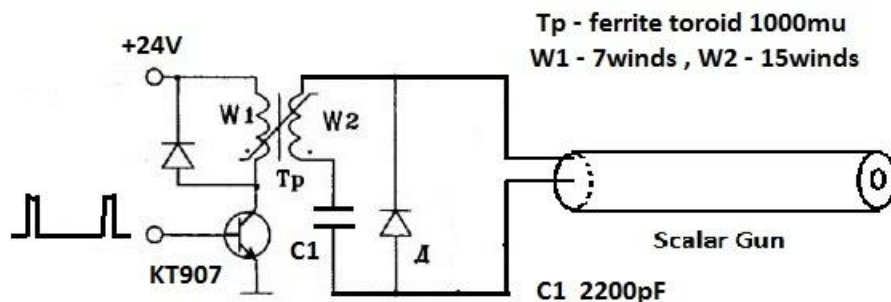
DC current was around 1Ampere, Pulses were around 200V in amplitude.
 Full schematic of scalar gun including pulse generator is shown below as example:



Also it was assembled another prototype of scalar gun in Australia but much smaller in size for testing purpose, it works on much higher frequencies. Refer to the picture below:

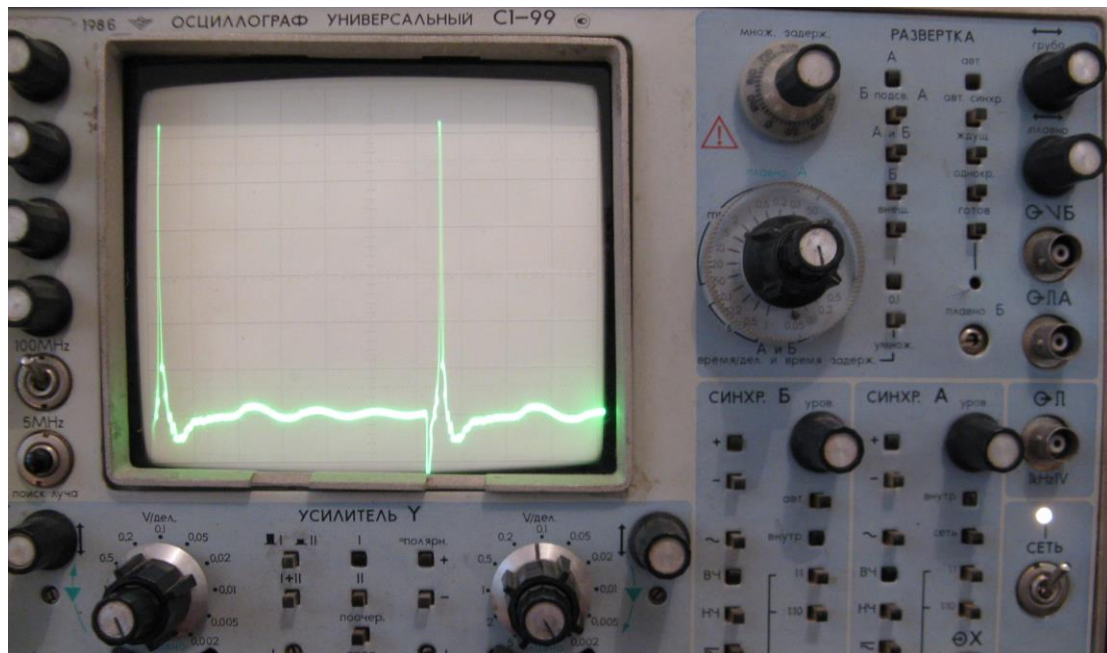


Micro scalar gun: external diameter is 13mm, hole = 4mm, length (head) is about 30mm
 The micro scalar gun is connected as pictured to the pulse generator:



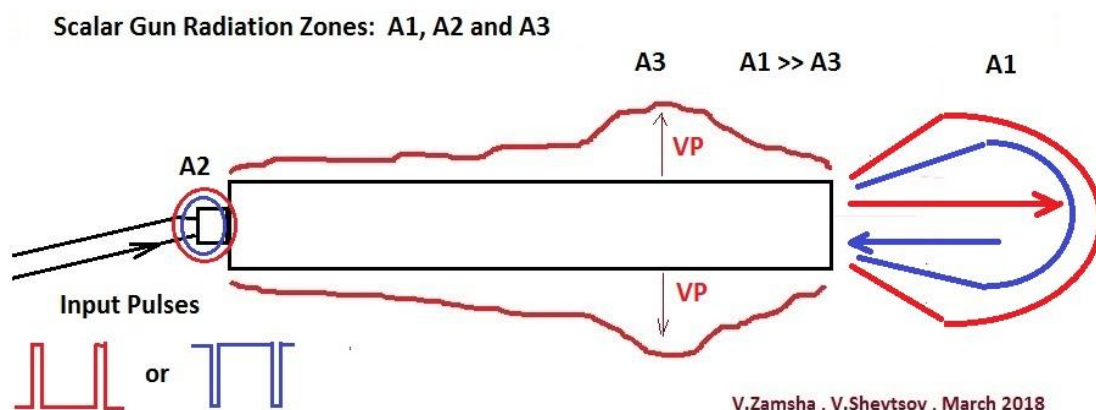
Micro scalar gun consumes around 80mA DC current, amplitude of pulses on inputs of scalar gun was around 33V. Observe phasing of W1 and W2 winds to get correct pulsing!
 Note that schematics represented here just give idea how scalar gun can be assembled.

The pulses of micro scalar gun have about 25nsec width, period is about 1.5mksec



Some observation how scalar gun works

When the palm of the hand approaches the front of the working scalar gun, operator can feel the "warmth" in the center of the palm or "chill" if the polarity of the pulses fed into the scalar gun is reversed. So we can feel a negative or positive zone of scalar generator. Also it was noted some "warmth" on side of the cylinder at distance about 1/3 back from the gun's front, but it not changed to "cold" state if polarity of pulses changed! So, from scalar gun's side we maybe have different emission and it looks like a Poynting vector (VP) works in this situation. Refer to diagram how emissions spread around the scalar gun:



Emissions of EM around the scalar gun were also observed at a distance of about 1 cm from its surface. But the electromagnetic interference was below 0.1 volts, so this is the background level of EM!

Note that the surface of scalar gun must not contact any conductive objects except the rear connection port. Also, do not hold the cylinder of the working scalar gun with your hand!

Warning!

Please take precaution when use a big power scalar gun because its operation can harm your health!

Conclusion

Authors of this article developed a relatively “pure” magnetic scalar field generator (named as scalar gun) based on the theory of scalar field by G.Nikolaev and A.Tomilin. Of course it needs further optimization for different use. But authors advise to start with big scalar gun because it works on relatively low frequencies so it is easy to tune it and operate! The shape of the outer cylinder can be different – for example it can be as sphere etc...

Copyright material!

Technical information on the construction of the magnetic scalar generator and its variations in this article is treated in the same way as a patent!

All parties – individuals or organizations that intend to use the information about the magnetic scalar field generator (scalar gun) described in this article, must refer to the authors of this device.

Any parties can freely distribute this article in its original or translated manner!

References:

1. V.Shkatov, V.Zamsha “Torsion Field and Interstellar Communication”, Eng, 2015
2. Gennady Nikolaev “ Consistent electrodynamics” - in Russian, to download: <https://www.litmir.me/bd/?b=270300> , 1997 or here <http://bookre.org/avtory?name=%D0%9D%D0%B8%D0%BA%D0%BE%D0%BB%D0%B0%D0%B5%D0%B2%20%D0%93>
3. Sergey Deyna, “Registration of Scalar Field” and many more - <https://www.youtube.com/watch?v=axe2F3xia-M> , in Russian, 2017
4. A.Tomilin “Generalized Electrodynamics” in Russian, Kazakhstan, 2009

All Rights Reserved!

For Global Distribution!

April 20, 2018

Updated !